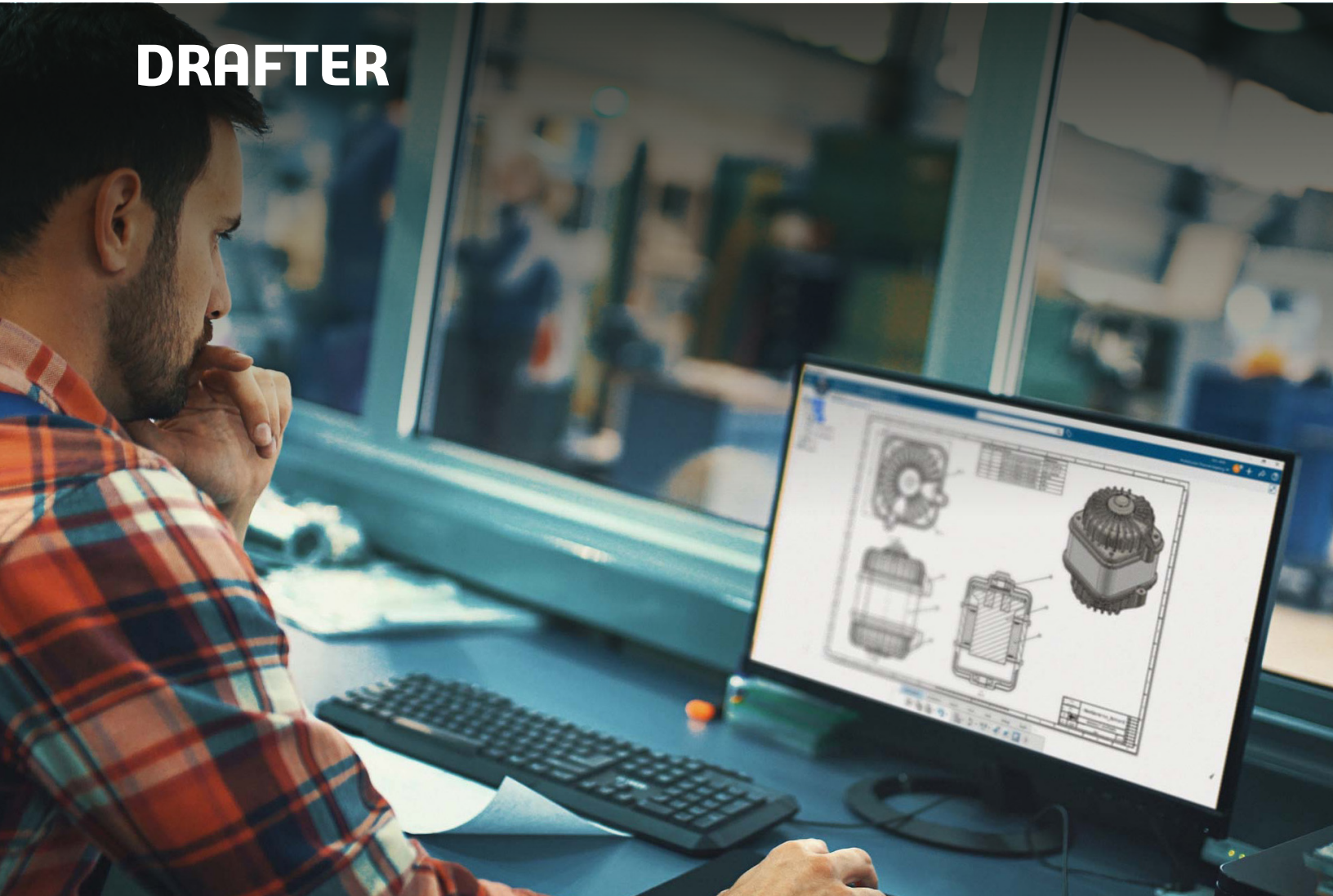


## DRAFTER



### QUICKLY GENERATE 2D DRAWINGS FROM YOUR 3D MODELS

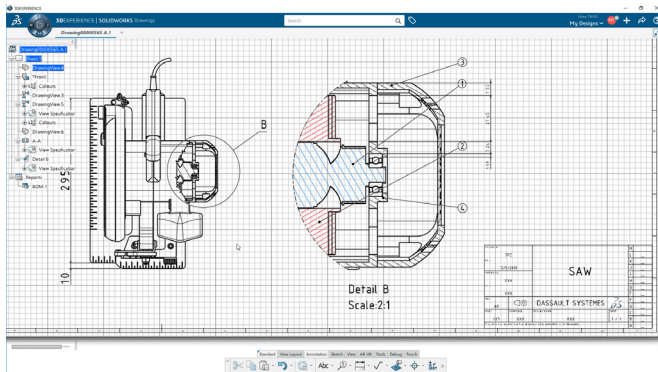
Reduce the time and cost of your design-to-manufacturing process by generating drawings of parts and assemblies that help you communicate how to manufacture your models.

#### OVERVIEW

Connected to the 3DEXPERIENCE® platform, Drafter is a Windows-based application that rapidly derives 2D drawings from 3D models. Whenever you modify your 3D model, your drawings update instantly. With Drafter's comprehensive, production-quality 2D drawing and detailing capabilities, designers and engineers can easily annotate and add dimensions to drawings and, with data saved to the cloud, are able to share drawings in real time.

## CAPABILITIES OF DRAFTER

- Quickly generate drawings from your 3D parts and assemblies.
- Easily apply dimensions, annotations and cross-sections to your drawings.
- 2D drawings are always up-to-date as they update instantly when you modify your 3D model thanks to powerful integration.



## CAPABILITIES OF THE 3DEXPERIENCE PLATFORM

With its growing solution portfolio and secure cloud technology, the **3DEXPERIENCE®** platform enables you to manage all facets of your product development process while reducing infrastructure costs, IT overhead, software maintenance and complexity. All **3DEXPERIENCE** solutions work together seamlessly, making data management, sharing and collaboration easy. 3D Drafter can take advantage of the following platform capabilities:

- View, share, annotate, discuss and manage drawings from anywhere, at any time and on any device with a web browser.
- Avoid rework and data translation errors through seamless interaction with **3DEXPERIENCE** design tools such as 3D Creator and 3D Sculptor.
- Enable design and engineering teams to collaborate more closely through a seamless connection.
- Collaborate with all internal and external team members through cloud-based dashboards, messaging, activity streams, communities and drag-and-drop task management.
- Create, save, duplicate, delete, exchange, lock and manage drawings securely, sharing only what you want and controlling what other team members can do with design data.

## Our **3DEXPERIENCE®** platform powers our brand applications, serving 11 industries, and provides a rich portfolio of industry solution experiences.

Dassault Systèmes, the **3DEXPERIENCE®** Company, provides business and people with virtual universes to imagine sustainable innovations. Its world-leading solutions transform the way products are designed, produced, and supported. Dassault Systèmes' collaborative solutions foster social innovation, expanding possibilities for the virtual world to improve the real world. The group brings value to over 250,000 customers of all sizes in all industries in more than 140 countries. For more information, visit [www.3ds.com](http://www.3ds.com).



©2019 Dassault Systèmes. All rights reserved. **3DEXPERIENCE®**, the Compass icon, the 3DS logo, CATIA, B2DVR, GEODVR, SOLIDWORKS, 3DVIEW, ENOVIA, EXPLORER, NETVIBES, CENTRIC PLM, 3DEXCITE, SIMULIA, DELMIA, and IPWE are commercial trademarks or registered trademarks of Dassault Systèmes, a French "société européenne" (Versailles Commercial Register # B 322 306 440), or its subsidiaries in the United States and/or other countries. All other trademarks are owned by their respective owners. Use of any Dassault Systèmes or its subsidiaries trademarks is subject to their express written approval.



## SIM Technologies Pvt. Ltd.

3rd Floor, "Mamanjee Centre",  
S7-A, Thiru-Vi-Ka Industrial Estate,  
Guindy, Chennai – 600 032

+91-8754447021

marketing@simtek.in