

Company:

Simgrosys is a leading engineering services provider with its operation centre in India and business offices in Americas, Europe and Middle East.

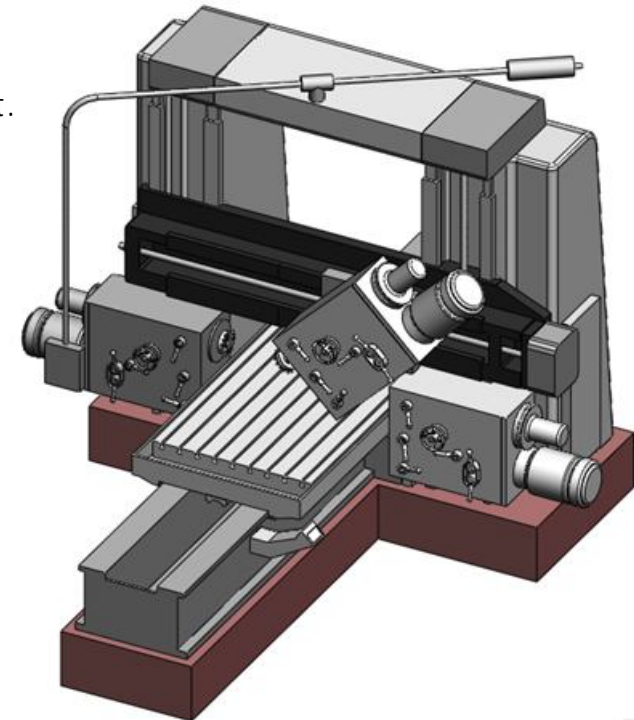
Simgrosys provide diversified engineering services to customers from various verticals to cut their product development costs and reduce design & development lead time.

Challenge:

- User Friendly 3D CAD Package
- Cost Effective Simulation Tools
- Quick Design Deliverables.

Key Benefits:

- Saves time by generating automatic 2D drawings with Dimension.
- Optimization is simple and saves us material cost
- Simulation Tool avoids Field Failures of Products
- Operation of Simulation tools are very simple and guides the designer with step by step procedure.
- Shorter ROI
- Minimize resources with maximum output.



“SolidWorks has a same design & Simulation platform which helps us in reducing design time & design complication”

**Visvanathan Kannian
Vice President**